

job name:   
 type:

## sq.air™ spec sheet

### material

#### housing

brake formed and welded aluminum.

#### diffuser

.25" virgin gloss white acrylic panels.

### optics

#### reflector

.050 aluminum painted high reflectance powder coat matte white.

#### lamp lens

.125" P95 frost acrylic lens.

### LED

custom LED board in 3000K, 3500K, or 4000K (80+ cri standard) optional 90cri (see below).  
 under normal operating conditions, the LEDs employed are rated for >50,000hrs L70 (6.8K) per  
 IES TM-21 from LM-80 test data. white power cord is standard with other color options listed below.

### driver

integral, programmable, UL class P, class 2, universal input (120-277v), constant current,  
 0-10v dimming, 1% minimum dimming level, PF >.9, THD <20%, protections include open and  
 short circuit, overload and over temperature.

### mounting

5"dia. spun steel canopy in satin white. four point vertical suspension of 12 ft long stainless steel cables  
 attach to trim with field adjustable grippers that allow for exact AFF mounting heights.  
 optional sq.air quad pod (see dwg.)

### emergency

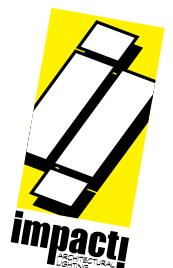
recommend use of inverter (by other).

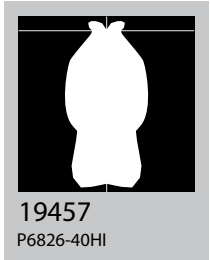
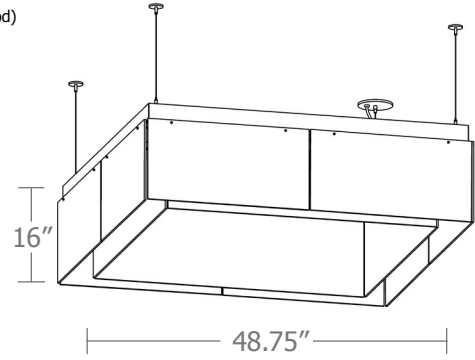
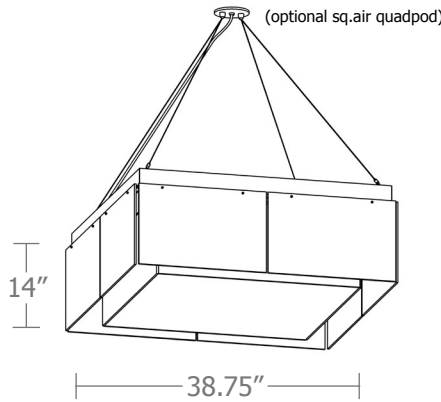
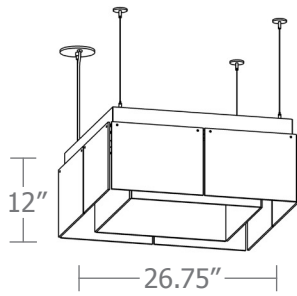


## catalog number

--	--	--	--

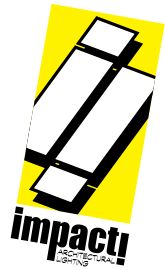
size	LED array	painted finish	options
<b>P6826</b> (2ft) 26.75"dia X 12"ht	<b>30LO</b> 3000K <b>30HI</b> 3000K	<b>AP</b> anodized paint <b>BS</b> brass <b>BU</b> blue <b>BZ</b> bronze <b>CP</b> champagne <b>FB</b> flat black <b>GM</b> gun metal <b>MB</b> military blue <b>MW</b> matte white <b>OR</b> orange <b>RD</b> red <b>SB</b> satin black <b>SS</b> satin silver <b>TG</b> textured gray <b>YO</b> yellow	<b>90CRI</b> <b>BKPC</b> Black power cord and canopy <b>SBPC</b> Silver braid power cord and white canopy <b>SQP</b> sq.air quad pod
<b>P6838*</b> (3ft) 38.75"dia X 14"ht	<b>35LO</b> 3500K <b>35HI</b> 3500K		
<b>P6848**</b> (4ft) 48.75"dia X 16"ht	<b>40LO</b> 4000K <b>40HI</b> 4000K <b>CL</b> xxxx lm <small>custom lumens consult factory</small>		
<p>* HI lumen requires structural mount (fixture weighs over 50 lbs)</p> <p>** LO and HI lumen require structural mount (fixture weighs over 50 lbs)</p>			
<p><b>premium finish</b>  <b>RAL</b> specify RAL#</p>			



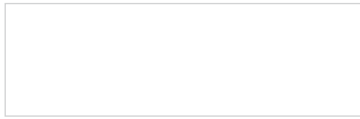


Cat No	Delivered Lumens	Watts		Amps	
		120V / 277V	120V	277V	
<b>P6826 LO</b>	2809	30	0.25	0.11	
<b>P6826 HI</b>	5461	55.8	0.47	0.20	
		ies file # 19457			
<b>P6838 LO</b>	3414	37	0.31	0.13	
<b>P6838 HI</b>	6827	73	.61	0.26	
<b>P6848 LO</b>	5300	59	.49	.21	
<b>P6848 HI</b>	9300	104	.87	.38	

\*delivered lumens based on 4000K, 80+ cri (90cri multiplier .83)



## Powder Coat Paint Finishes



**MW** matte white



**AP** anodized paint



**SS** satin silver



**TG** textured gray



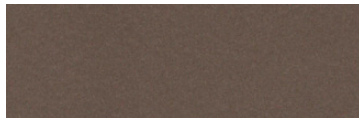
**FB** flat black



**SB** satin black



**CP** champagne



**BZ** bronze



**GM** gun metal



**OR** orange 2011



**BU** blue 5017



**BS** brass



**RD** red 3020



**YO** yellow 1018



**MB** military blue

For accurate color verification, actual finish samples are available upon request.

## Premium Finishes\*



**RAL#**

\*Available on select series. Consult product submittal for availability.

